



**XLGJB07WM03-G**  
**| Fixed Dome Outdoor**  
**Wall Mount**

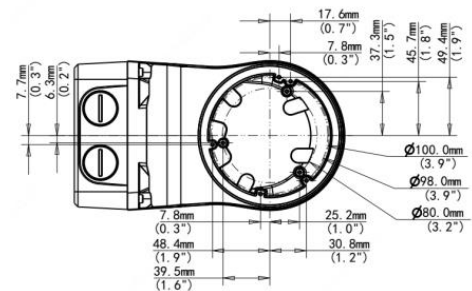
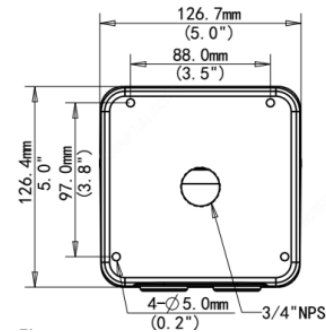
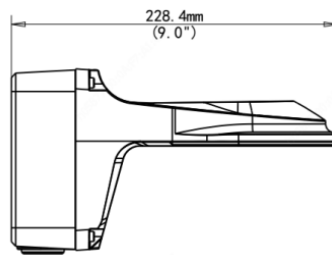


**Unify your**  
**Security**  
**Solution**

You asked, we listened. Tailored especially for you, **Legend is our fully NDAA compliant brand.** It offers our latest technologies in a robust build.

**Manufactured for your needs**

Bracket	
Application	Wall installation (Extra back outlet)
Dimensions	126.7 x 126.4 x 228.4mm
Weight	1kg
Material	Aluminum alloy



**Mount for:**

- INLGDO4KIRWFAI; INLGTO5IRWF;**
- INLGDO4KIRWF; INLGTO4KIRWF;**
- INLGDO2IRWF; INLGDO4IRWF;**
- INLGTO2IRWF; INLGTO4IRWF(B)**